

MIOTA
1025

The design of the bed headboard is inspired by the typical accessories we usually use in our head: earmuffs, headbands, caps, headphones... that is what we need most of the year: when we lay down the bed embrace us.

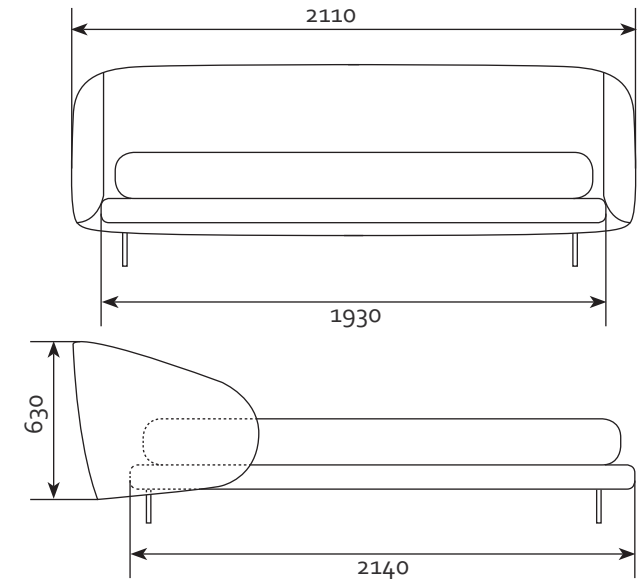
The concept uses its formal simplicity in its curved and softened outlines, that connotes comfort, smoothness, aesthetic harmony and even we can feel warm when we go to bed.

It is made of black wool for frame and headboard and black metal for legs, which provides timelessness, elegance.

It is a unique and elegant piece of furniture made in detail of the haute-couture.



MIOTA
1025



units milimeters



black wool upholstery
for headboard and frame

